



premium-duty polyurethane insulated RIBBED STEEL DOORS

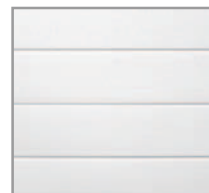


Model 3730

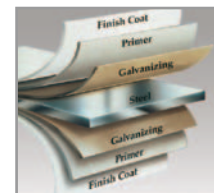
SANDWICH 3" THICK CONSTRUCTION	EFFICIENCY 22.2 R-VALUE	WARRANTY 10YR LIMITED CONSTRUCTION
--	--------------------------------------	--

FEATURES

- Full 3" (76.2 mm) thick sandwich construction consisting of exterior and interior steel skins filled by foamed-in-place polyurethane foam.
- **A GREEN DOOR:** Clopay's polyurethane foam is CFC and HCFC-free and utilizes recycled steel and packaging materials.
- Both steel skins are separated by a continuous thermal break.
- Panels are preprimed inside and out to inhibit rust. Hot-dipped, galvanized steel is painted with primer and given a tough oven-baked polyester top coat, to provide the most rust-resistant steel door available. Ten year warranty against rust-through.
- The premium Model 3730 is for commercial and industrial facilities where ease of maintenance, versatility, durability and high R-value considerations are all important.
- Ideal in cold storage and other temperature-sensitive environments.
- Clopay's three stage prepainting process yields a durable, maintenance-free finish.
- Stucco embossed flush exterior; interior steel skins with micro-grooved ribs.



Light Ribbed Panel



Rust-Resistant

premium-duty polyurethane insulated RIBBED STEEL DOORS

Quality Assurance – Doors shall be insulated steel sectional overhead type as manufactured by Clopay Building Products Company. Each door is provided as one complete unit including sections, brackets, tracks, counterbalance mechanisms and hardware (list options) to suit the opening and headroom available. Standard maximum door width to 14'2" (4.3 m). Standard maximum door height to 24'0" (7.3 m). Consult CIA for large sized doors.

Materials and Construction – Sections shall be 3" (76.2 mm) thick sandwich construction consisting of exterior and interior steel skins with polyurethane foam core and continuous thermal break. Steel skins shall be roll formed commercial quality hot-dipped galvanized per ASTM A-924, A-653, phosphate coated, prepainted with primer and baked-on polyester top coat. Door sections constructed of 27 gauge (.016" min.) (.41 mm) exterior and 28 gauge (.015" min.) (.38 mm) interior skins, stucco embossed texture, exterior skin with .040" (1.02 mm) mirror ribs 4" (10.2 cm) or 5" (12.7 cm) on center. 16 gauge (.061" min.) (1.6 mm) steel end stiles shall be galvanized. All stiles engineered for easy hardware attachment through prepunched holes, double end stiles as required. 19 gauge (.038" min.) (.97 mm) galvanized, primed steel support plates located under each hinge location, prepunched for hinge attachment. All metal parts between the exterior skin and interior skin are completely separated to form a thermal break. Galvanized steel step plate/lift handle provided on bottom section. Bottom section reinforced with full length .050" (1.3 mm) aluminum astragal retainer.

Energy Values – Section R-value = 22.2*

*Calculated door section R-value is in accordance with DASMA TDS-163.

Weatherstripping – Top of door is provided with vinyl sealing strip. Bottom weatherseal to be U-shaped vinyl in aluminum weatherproof retainer. Tongue-and-groove section joint prevents air infiltration. Optional jamb seal to be flexible scaling blade attached to track angle mounting with rigid retainer and between section seal.

Finish – Exterior and interior steel skins prefinished with a one full mil 3-coat process of a baked-on polyester top coat over primer on a phosphate coating. White or brown exterior, white interior. **FINISH GUARANTEED AGAINST RUST-THROUGH FOR TEN (10) YEARS; SECTIONS AGAINST DELAMINATION FOR TEN (10) YEARS.**

Hardware – All hinges and brackets to be manufactured of hot-dipped galvanized steel, 14 gauge minimum. 10-ball bearing steel rollers to be full floating ball bearings in case-hardened steel races, mounted to fit the taper of the track. Heavy-duty full size hinges.

Tracks – 2" (50.8 mm) or 3" (76.2 mm) track as required. Vertical tracks to be minimum of 16 gauge galvanized steel, tapered and mounted for wedge type closing. Horizontal tracks to be minimum 14 gauge galvanized steel, reinforced with minimum 13 gauge galvanized steel angles as required. 3" (76.2 mm) tracks to be 12 gauge.

Spring Counterbalance – Door assembly to be operated by a torsion spring counterbalance mechanism, with a helically wound, oil tempered torsion spring mounted on a galvanized steel tube or solid steel shaft as required. Cable drums are die cast aluminum. Lift cables are high strength, galvanized aircraft cable with minimum 7:1 safety factor.

Locking – (Inside locking) spring loaded slide bolt lock on end stile shall engage slot in track.

Wind Loading – Door shall comply with ANSI/DASMA 108 or to meet specific application requirements.

OPTIONS

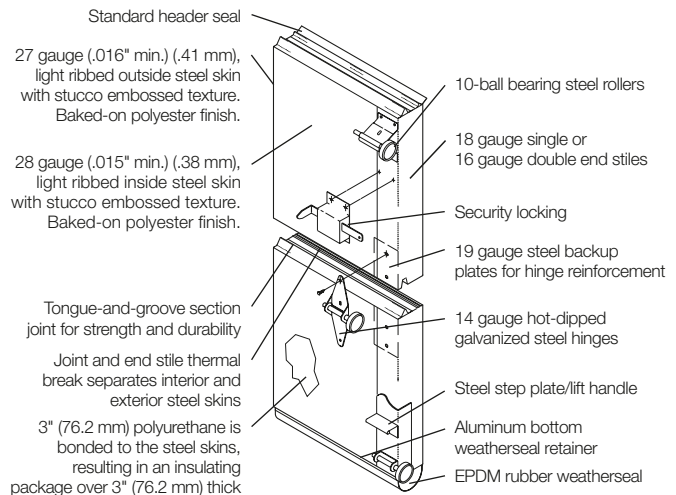
- A. Glazing** – 24" x 8" (61 cm x 20.3 cm) or 24" x 12" (61 cm x 30.5 cm) window lite of polypropylene frame construction standard glazing in 2" (50.8 mm) nominal insulated triple pane DSB glass. Outside frame color to match panel.
- B. High Cycle Spring** – Available in 25,000; 50,000; 100,000 cycles.
- C. Track** – Vertical lift, high lift, follow-the-roof slope and low headroom track available. 2" (50.8 mm) or 3" (76.2 mm) as required.
- D. Locking** – Five-pin cylinder lock with outside key, 16-1/2" (41.9 cm) inside lock bar engaging slot in track.

SECTION ARRANGEMENT

Door Height	Number of Sections
Up to 8'0"	4
8'3" to 10'0"	5
10'3" to 12'0"	6
12'3" to 14'0"	7
14'3" to 16'0"	8
16'3" to 18'0"	9
18'3" to 20'0"	10
20'3" to 22'0"	11
22'3" to 24'0"	12

WINDOW OPTIONS 24" x 8" or 24" x 12"

Door Width	Max. Number of Window Lites
Up to 9'2"	2
9'4" to 13'2"	3
13'4" to 14'2"	4



DISTRIBUTED BY:

For special applications and options, consult Commercial Information Assistance (CIA) at 1-800-526-4301.



For more information on these and other Clopay products, call 1-800-526-4301 or visit www.clopaycommercial.com

